
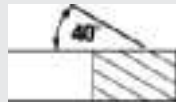



router
 Konturenfräser
 mortaiseuse
 encaminadors
 frese contonitrici

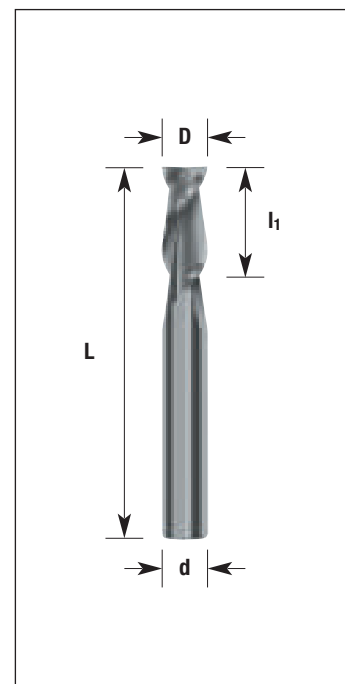
254

Z = 2

		tol: D	tol: d
Micro Grain K10/K20	 8.1 - 8.3	3 - 6mm +0.000/-0.076mm > 6 - 8mm +0.000/-0.127mm 1/16" - 1/8" +0.000"/-0.003" > 1/8" - 1/4" +0.000"/-0.005"	+0.000/-0.013mm +0.000"/-0.0005"

D mm	d mm	L mm	l ₁ mm	Part Nr
3	3	38	13	25411810
4	4	50	14	25415750
6	6	63	19	25423620
8	8	63	19	25431500

D ins	d ins	L ins	l ₁ ins	Part Nr
1/16	1/8	1 1/2	3/16	25406250
1/8	1/8	1 1/2	1/2	25412500
1/4	1/4	2 1/2	3/4	25425000

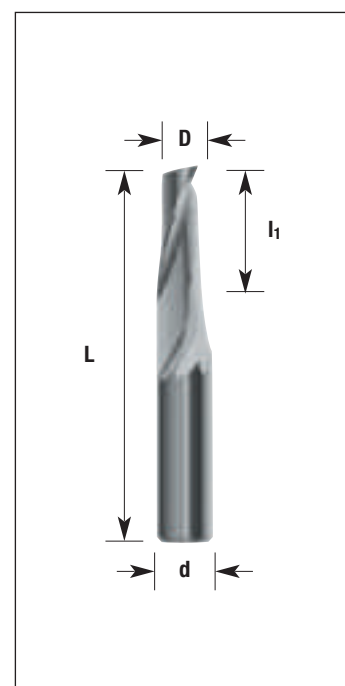


256

Z = 1

Micro Grain K10/K20	 7.1 - 8.3	tol: D	tol: d
		1/16" - 1/8" +0.000"/-0.003" > 1/8" - 1/4" +0.000"/-0.005"	+0.000/-0.0005"

D ins	d ins	L ins	l ₁ ins	Part Nr
1/8	1/8	1 1/2	1/2	25612500
1/4	1/4	2 1/2	3/4	25625000
3/8	3/8	2 1/2	7/8	25637500



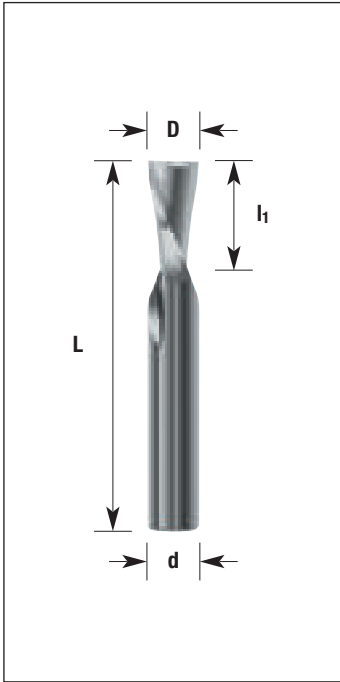
routers

Konturenfräser

mortaiseuse

encaminadors

frese contonitrici



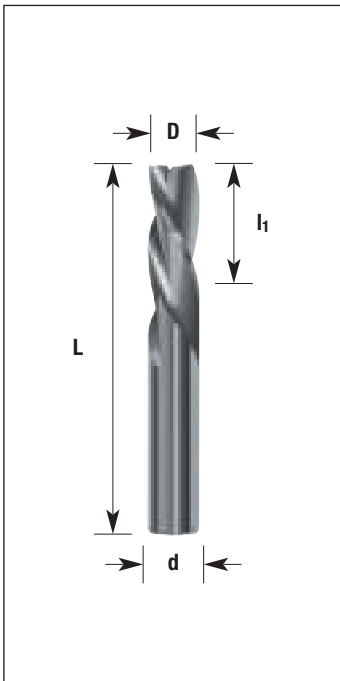
258

Z=2

Micro Grain K10/K20	8.1 - 8.3	tol: D	tol: d
		3 - 6mm +0.000/-0.076mm > 6 - 8mm +0.000/-0.127mm 1/16" - 1/8" +0.000"/-0.003" > 1/8" - 1/4" +0.000"/-0.005"	+0.000/-0.013mm +0.000"/-0.0005"

D mm	d mm	L mm	l ₁ mm	Part Nr
3	3	38	13	25811810
6	6	63	19	25823620
8	8	63	19	25831500
10	10	70	22	25839370

D ins	d ins	L ins	l ₁ ins	Part Nr
1/16	1/16	1 1/2	3/16	25806250
1/8	1/8	1 1/2	1/2	25812500
3/16	3/16	2	5/8	25818750
1/4	1/4	2 1/2	3/4	25825000
5/16	5/16	2 1/2	13/16	25831250
3/8	3/8	2 1/2	7/8	25837500
1/2	1/2	3	1	25850000



259

Z=3

Micro Grain K10/K20	8.1 - 8.3	tol: D	tol: d
		3 - 6mm +0.000/-0.076mm > 6 - 8mm +0.000/-0.127mm 1/16" - 1/8" +0.000"/-0.003" > 1/8" - 1/4" +0.000"/-0.005"	+0.000/-0.013mm +0.000"/-0.0005"

D mm	d mm	L mm	l ₁ mm	Part Nr
3	3	38	13	25911810
6	6	63	19	25923620
8	8	63	19	25931500
10	10	70	22	25939370

D ins	d ins	L ins	l ₁ ins	Part Nr
1/16	1/16	1 1/2	3/16	25906250
1/8	1/8	1 1/2	1/2	25912500
3/16	3/16	2	5/8	25918750
1/4	1/4	2 1/2	3/4	25925000
5/16	5/16	2 1/2	13/16	25931250
3/8	3/8	2 1/2	7/8	25937500
1/2	1/2	3	1	25950000